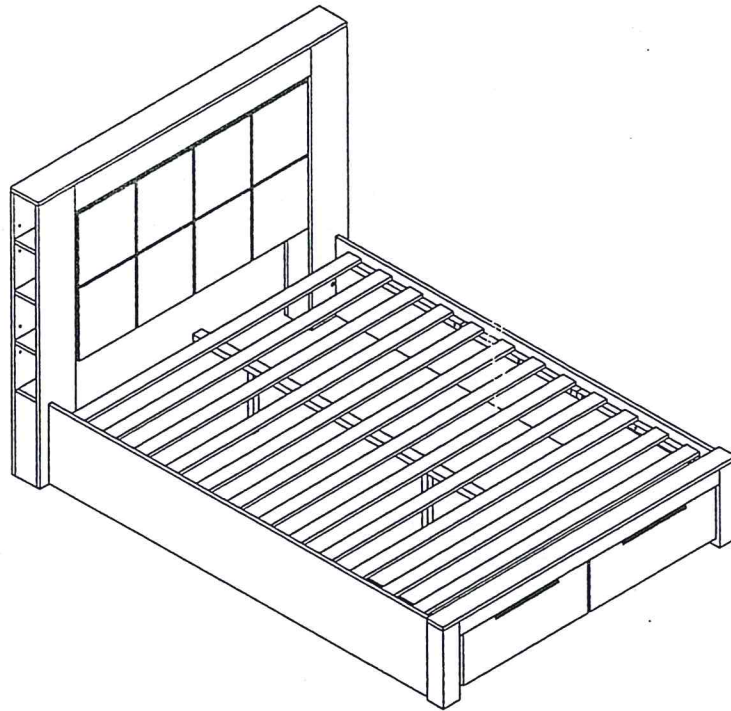
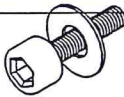
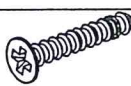


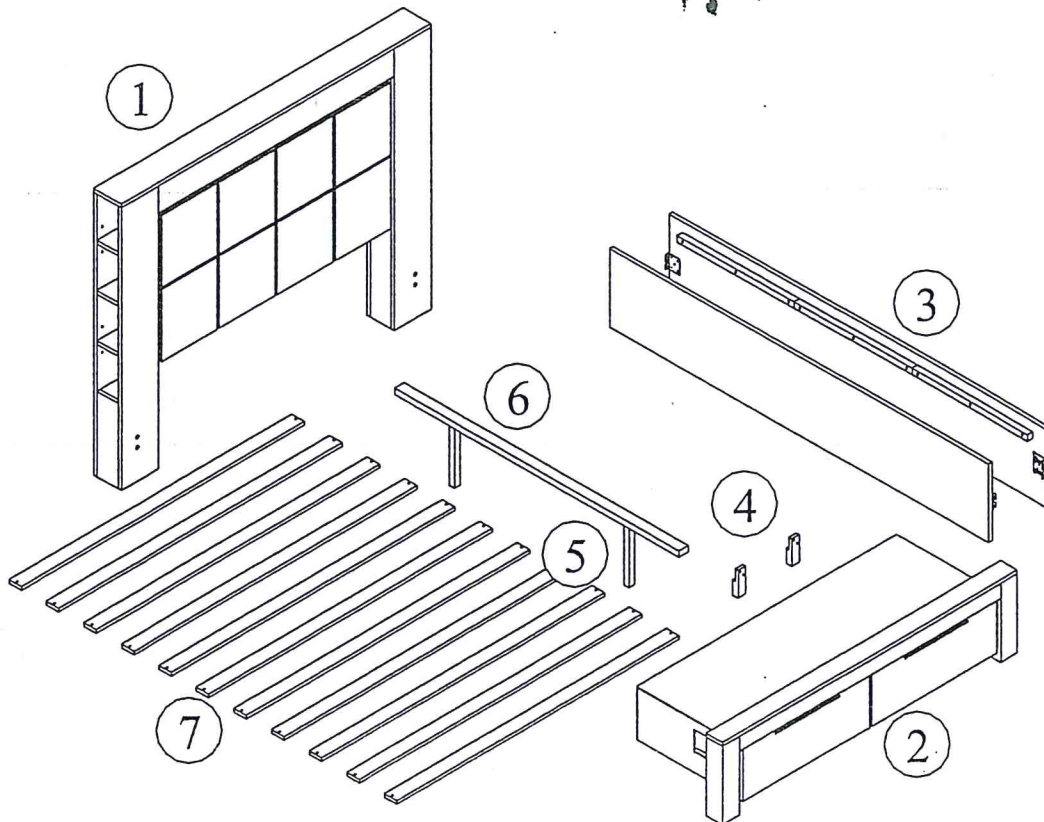


ASSEMBLY INSTRUCTION FUDGE BED



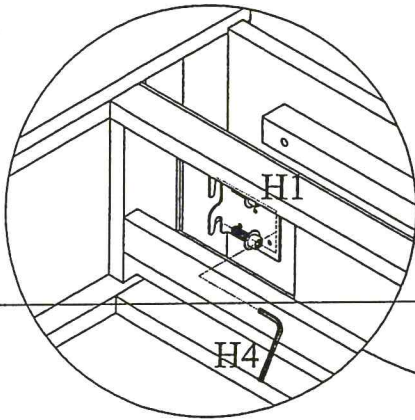
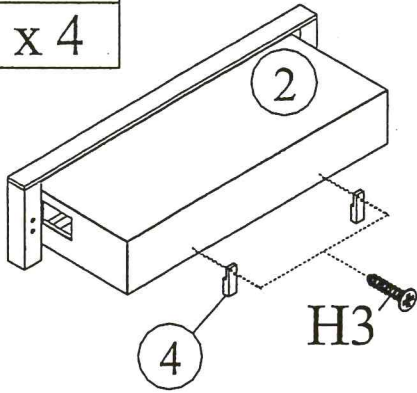
	H 1	8 PCS Ø8 x 20		H 3	4 PCS Ø4 x 35
	H 2	26 PCS Ø4 x 25		H 4	1 PC Ø 6



Step 1:



H3 x 4



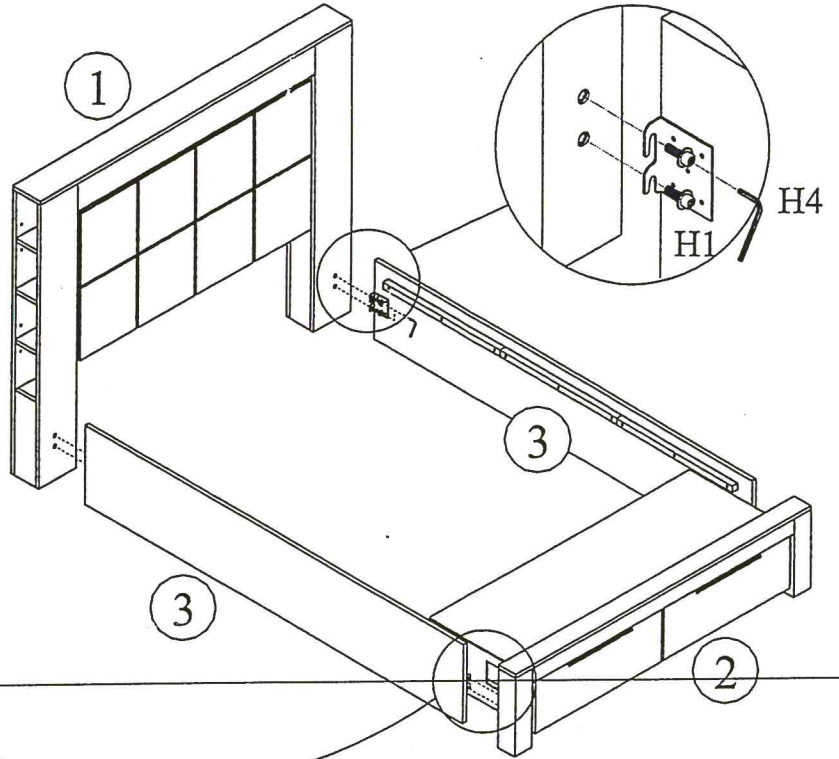
Step 2:



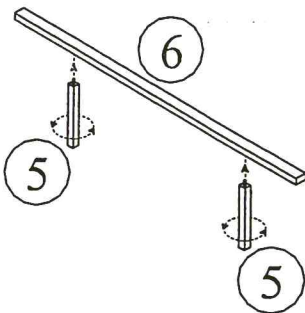
H4 x 6



H1 x 8



Step 3:



Step 4:



H2 x 26

