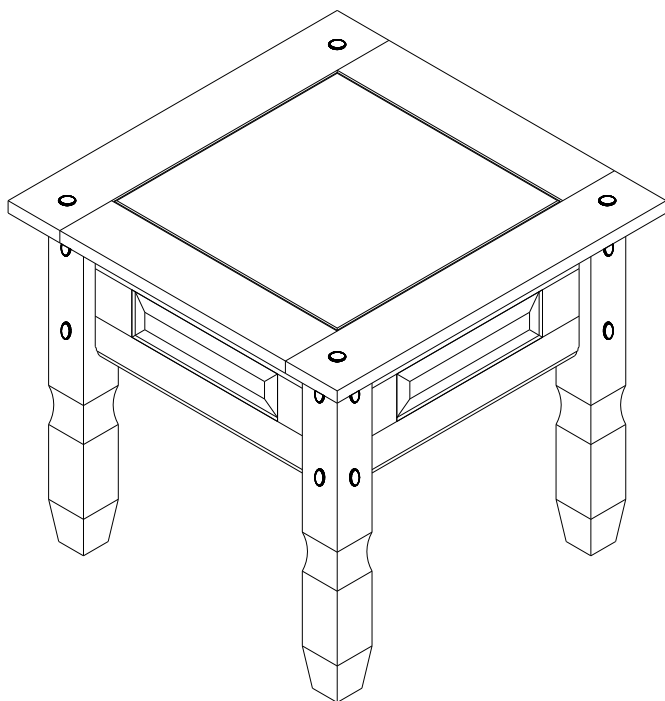
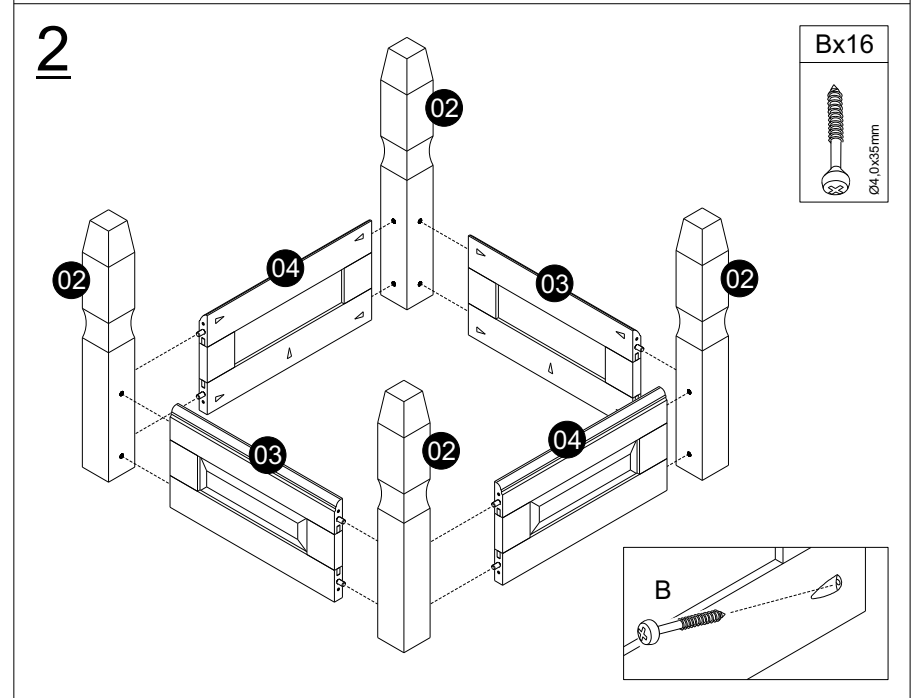
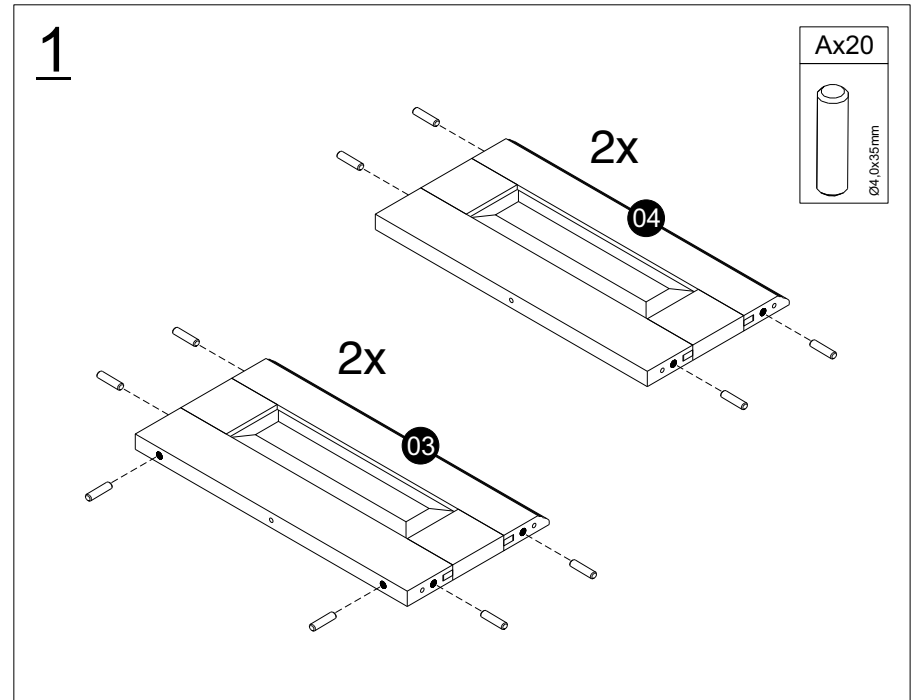
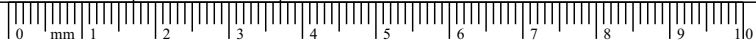
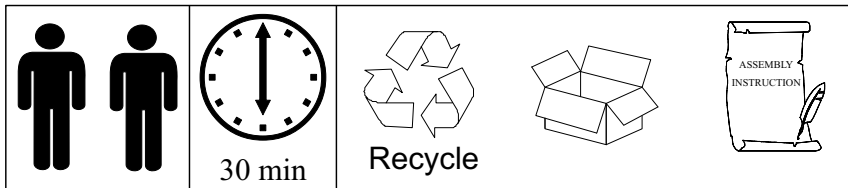
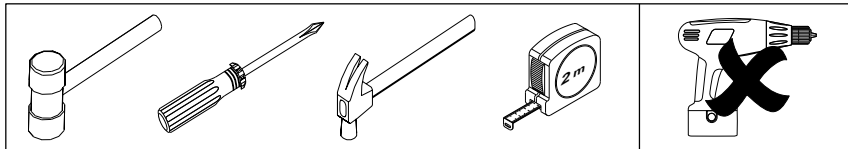
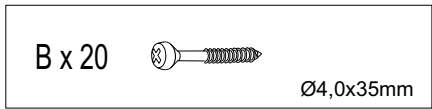
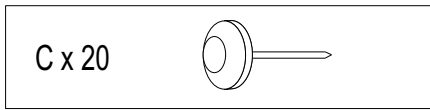
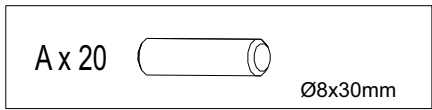
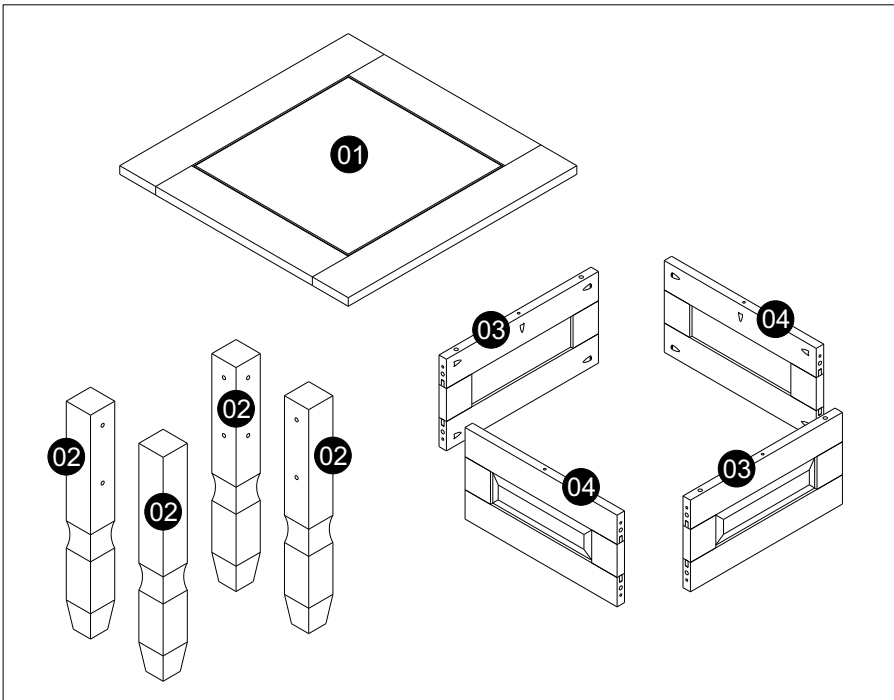
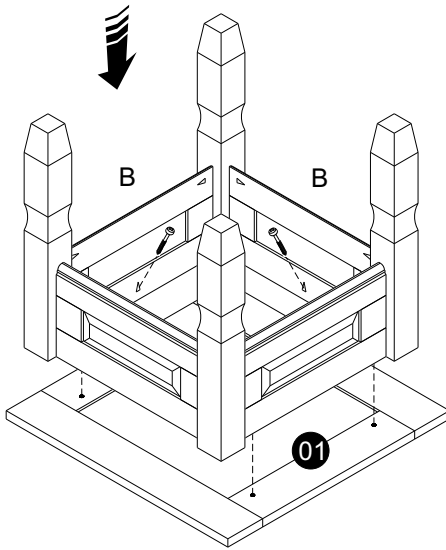


T210

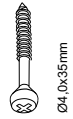




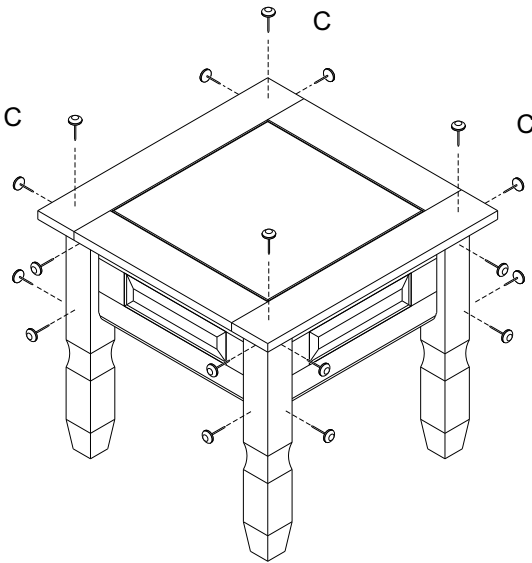
3



Bx4



4



Cx20

