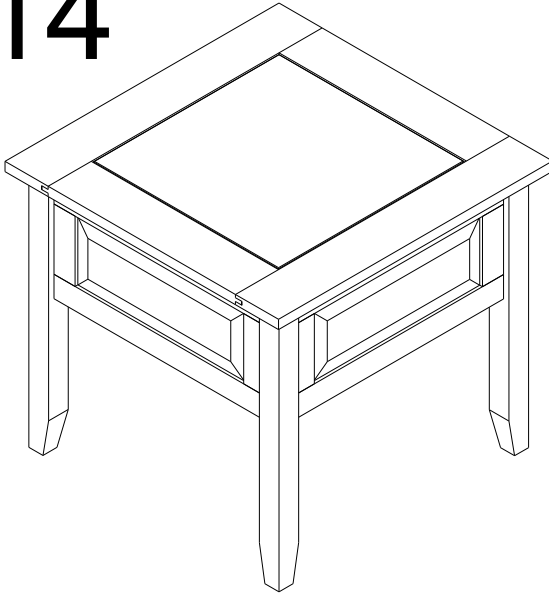


T214

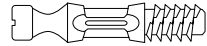


A x 20



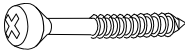
Ø8x30mm

C x 16



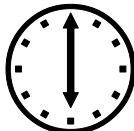
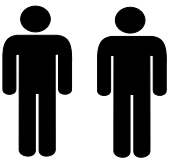
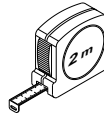
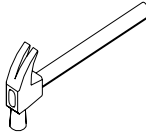
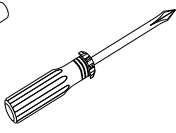
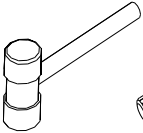
Ø6x33mm

B x 8

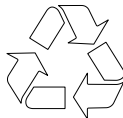


Ø4,0x35mm

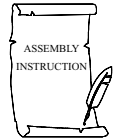
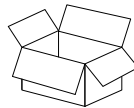
D x 16



30 min

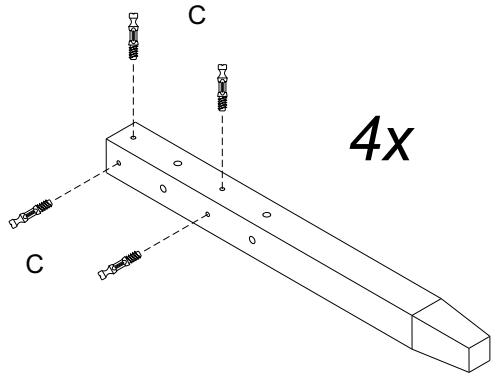


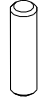
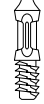
Recycle

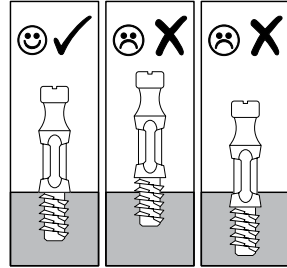


0 mm 1 2 3 4 5 6 7 8 9 10

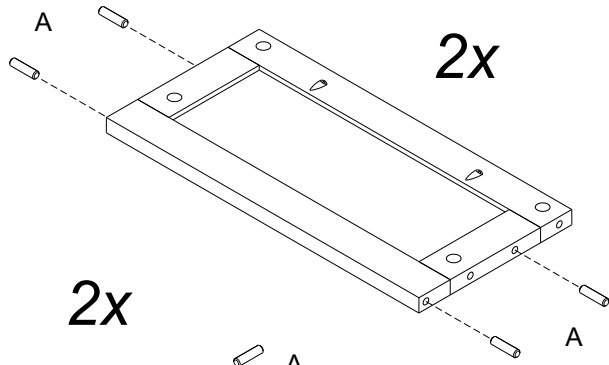
1



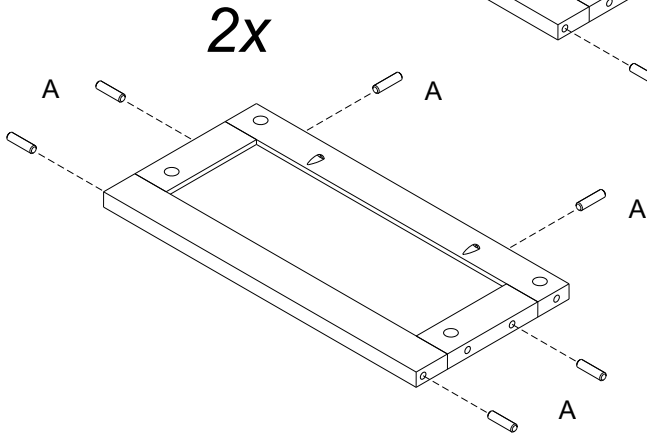
| Ax20 | Cx16 |
|--|--|
|  Ø8x30mm |  Ø6x33mm |



4x

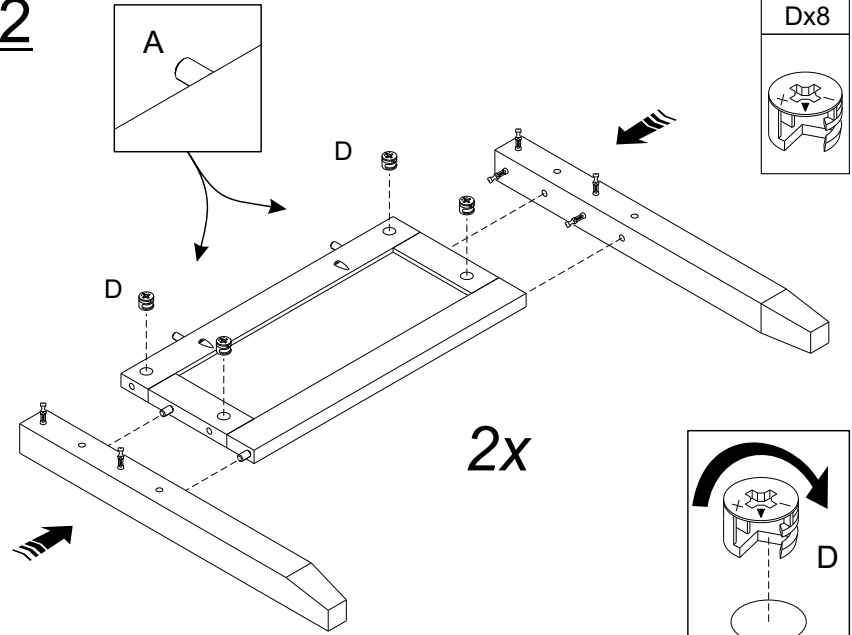


2x



2x

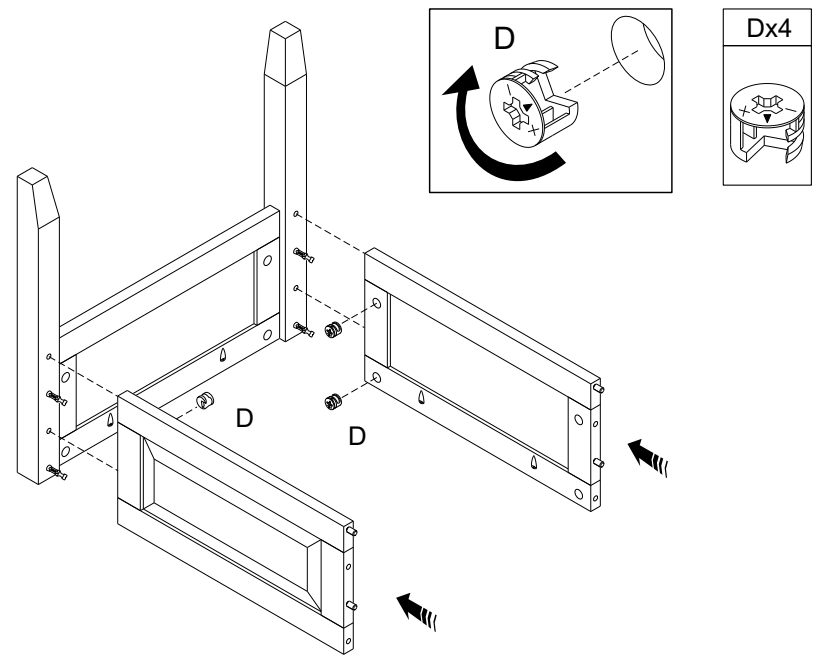
2



Dx8

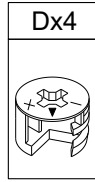
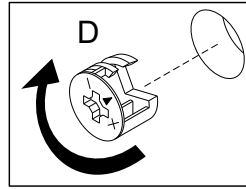
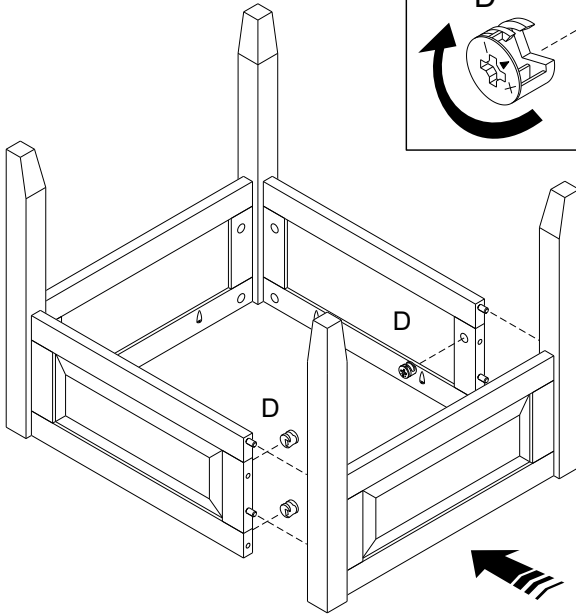
2x

3



Dx4

4



5

