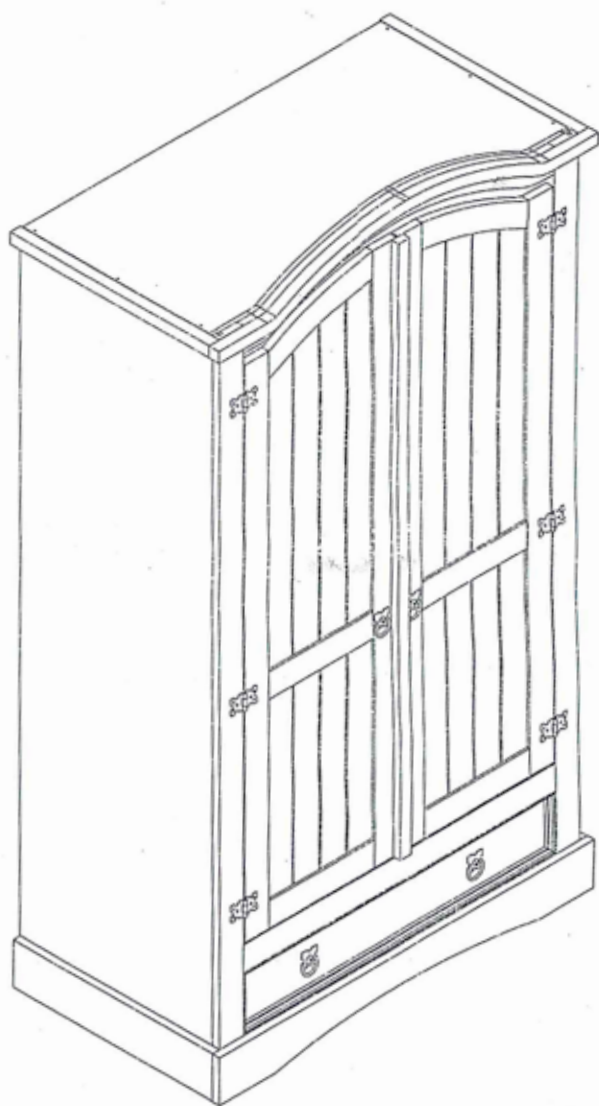
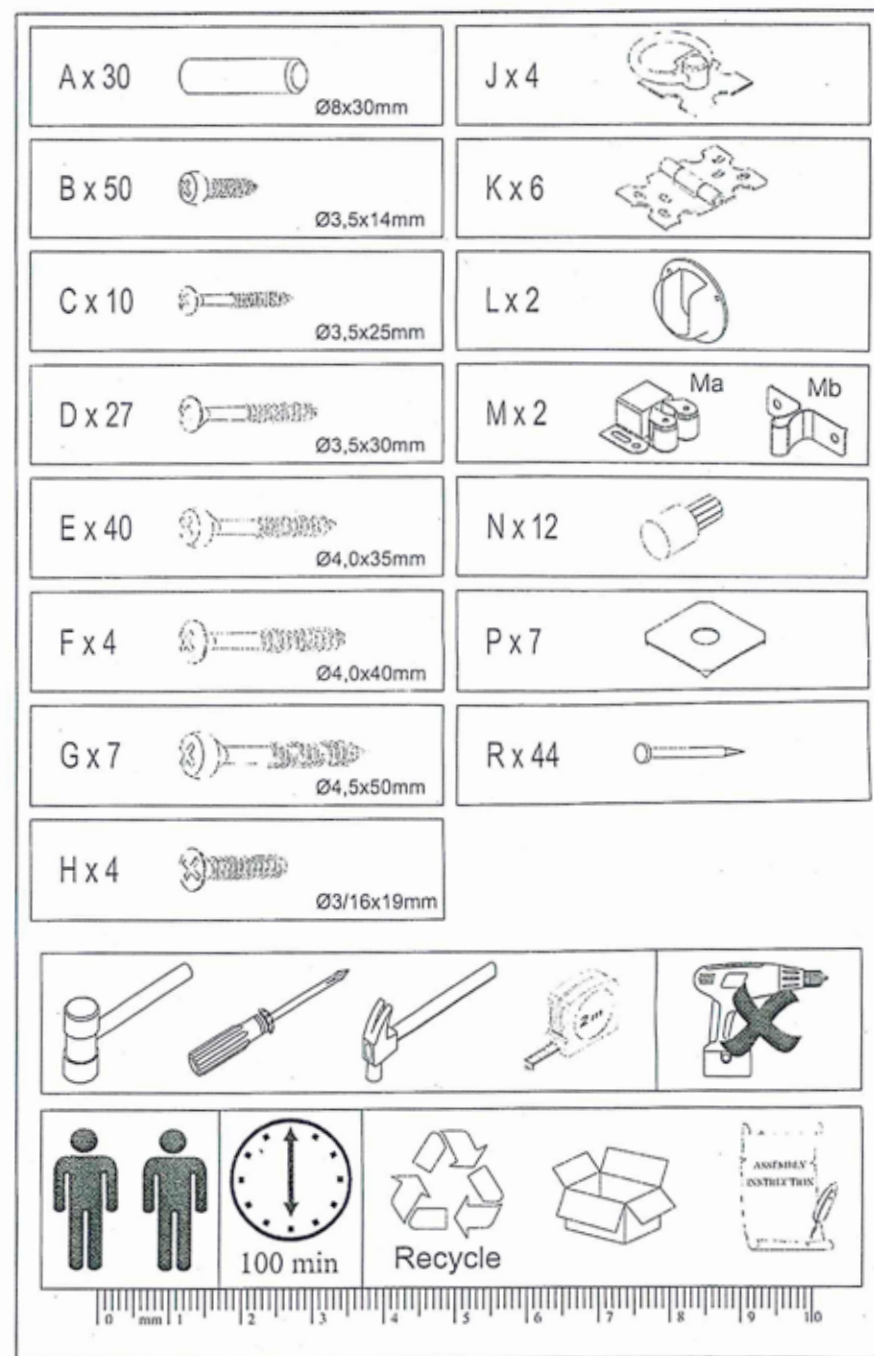
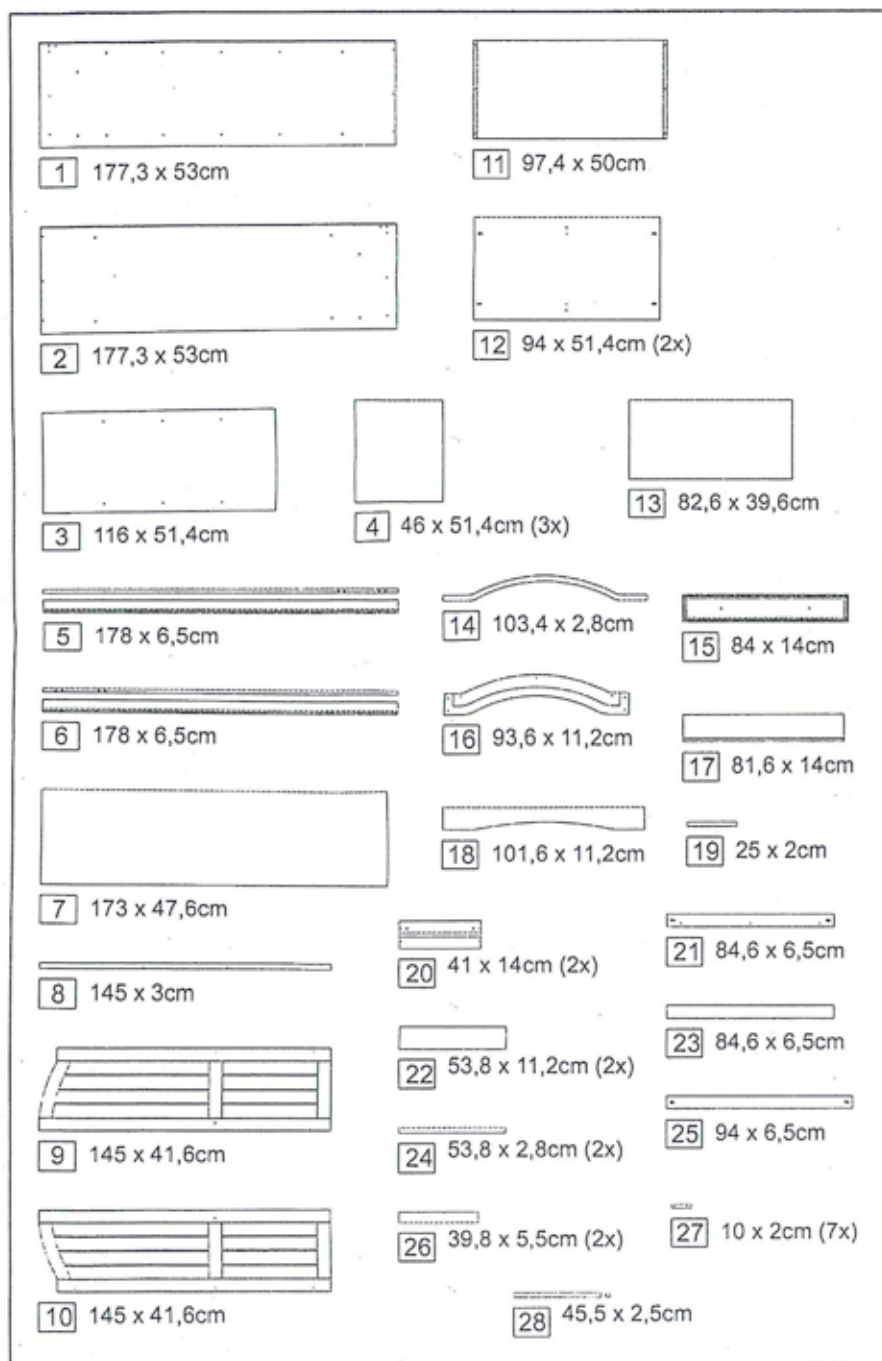
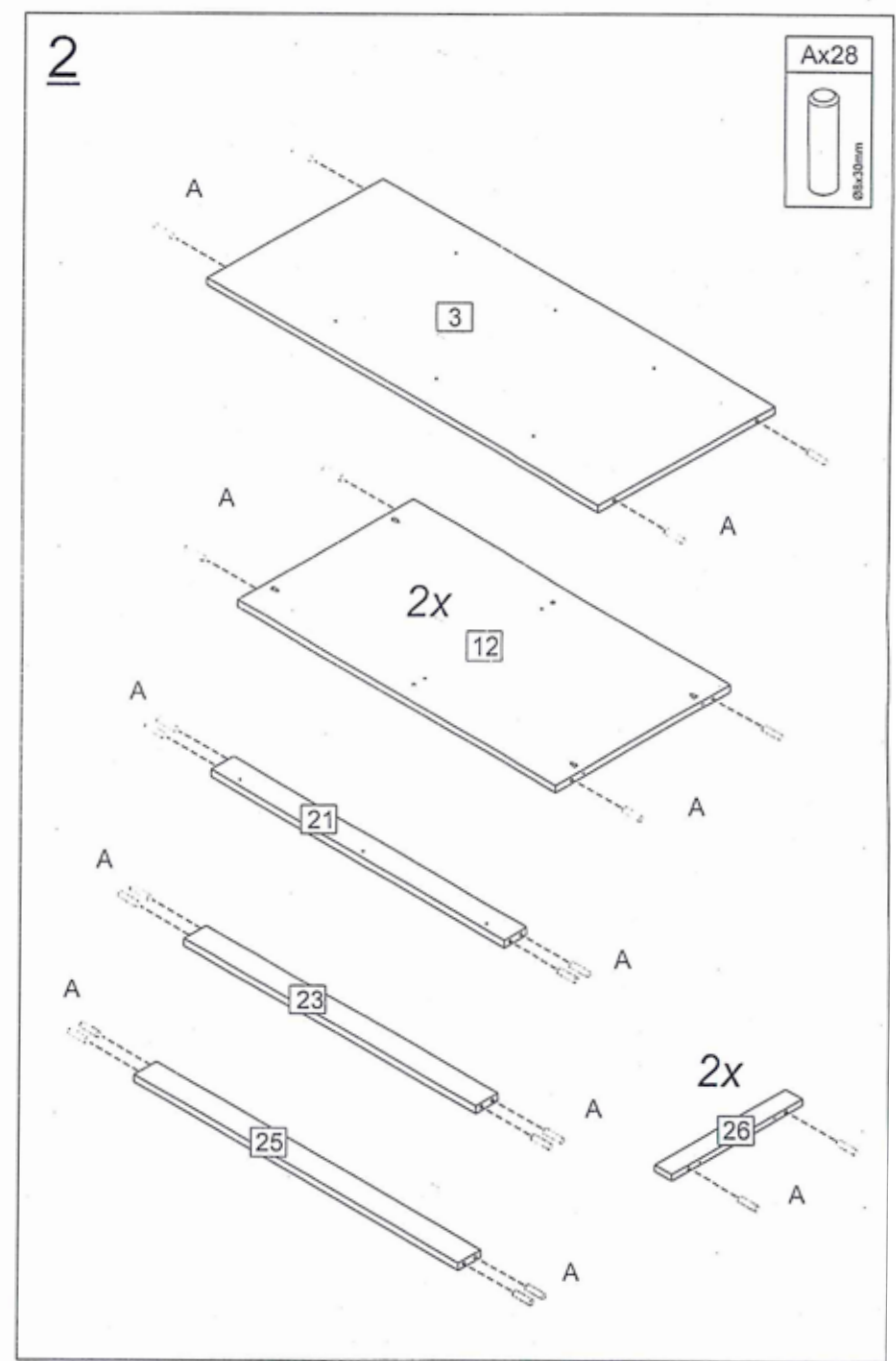
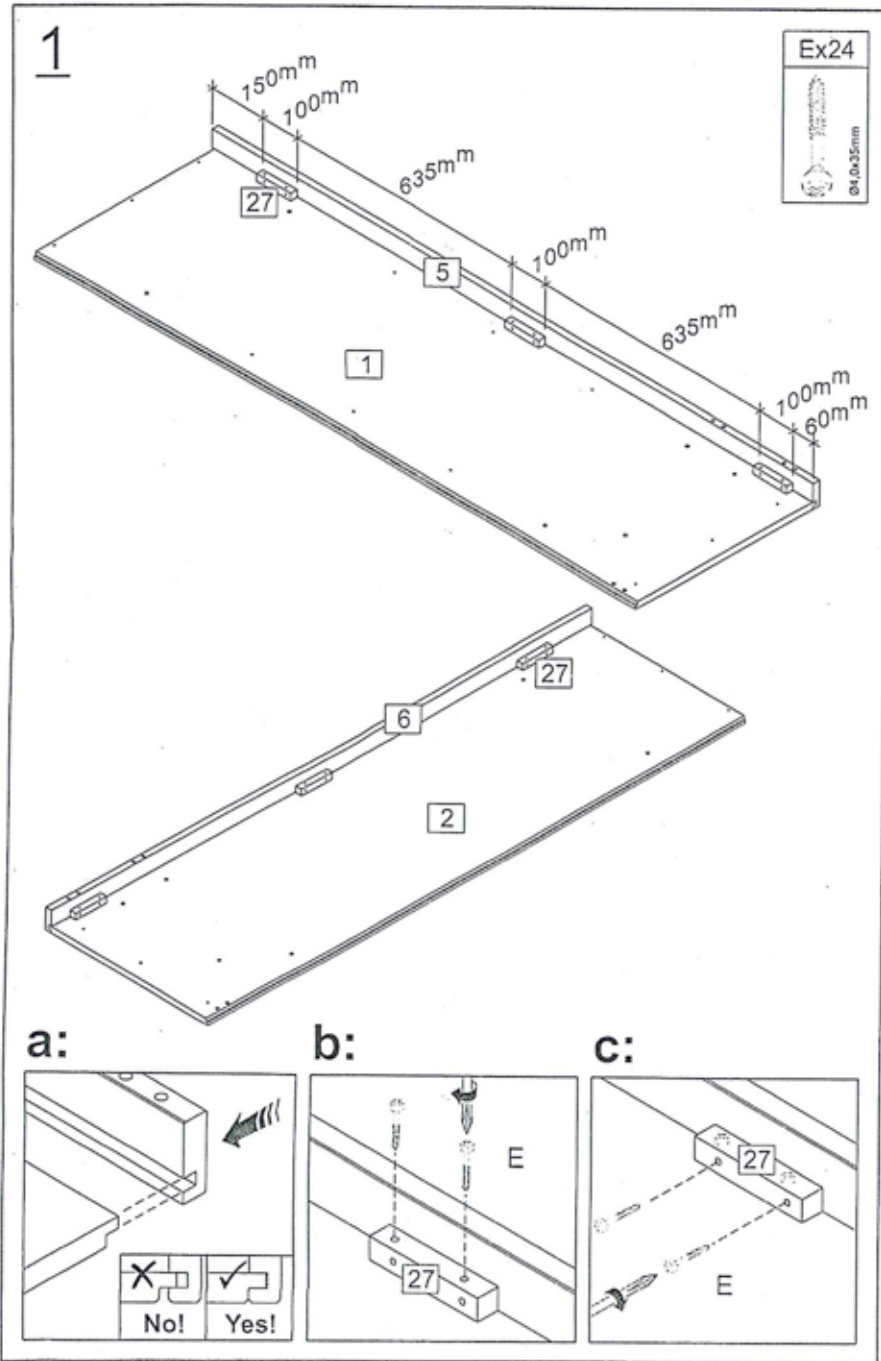


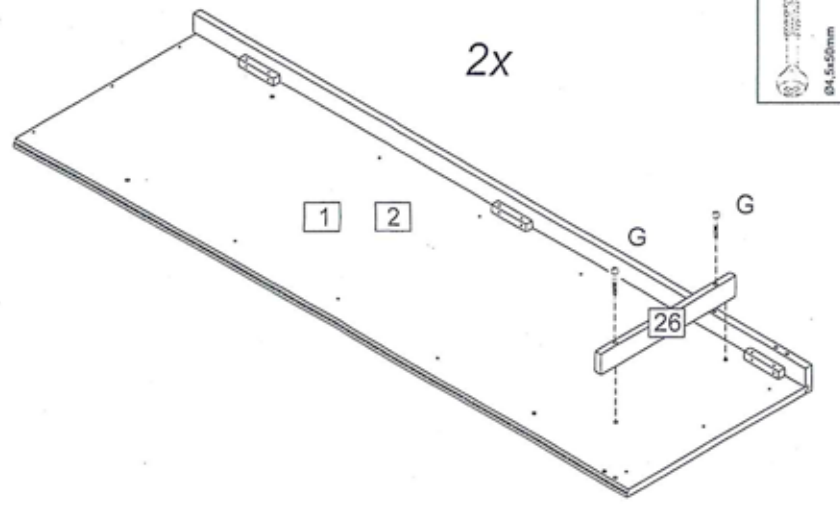
620



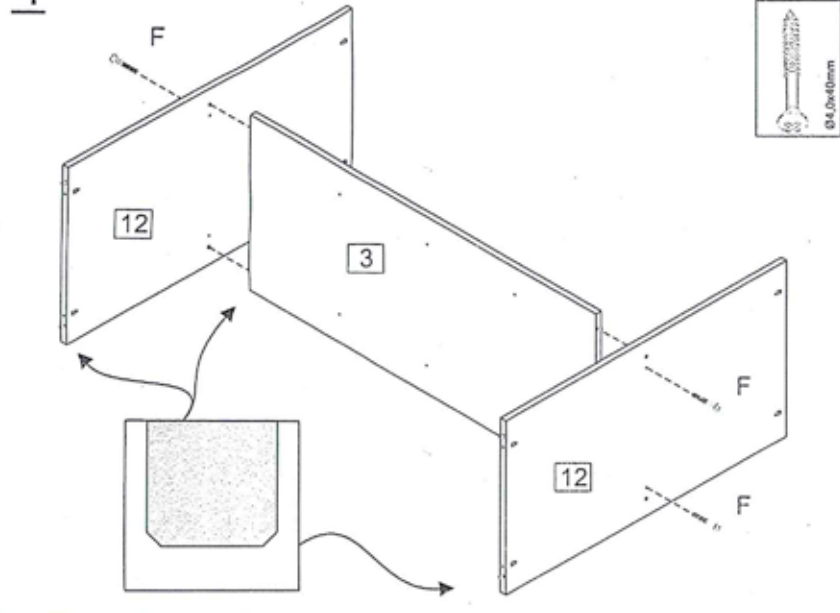




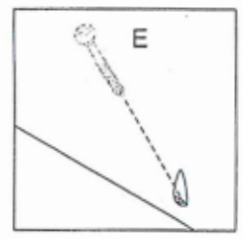
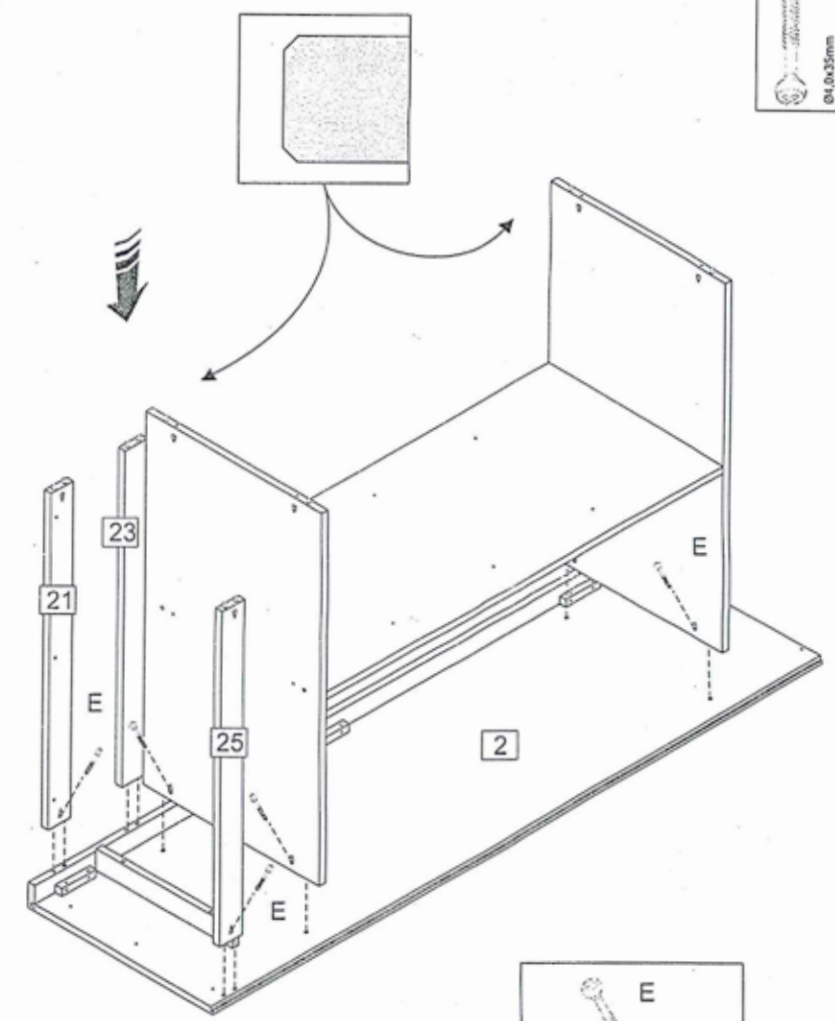
3



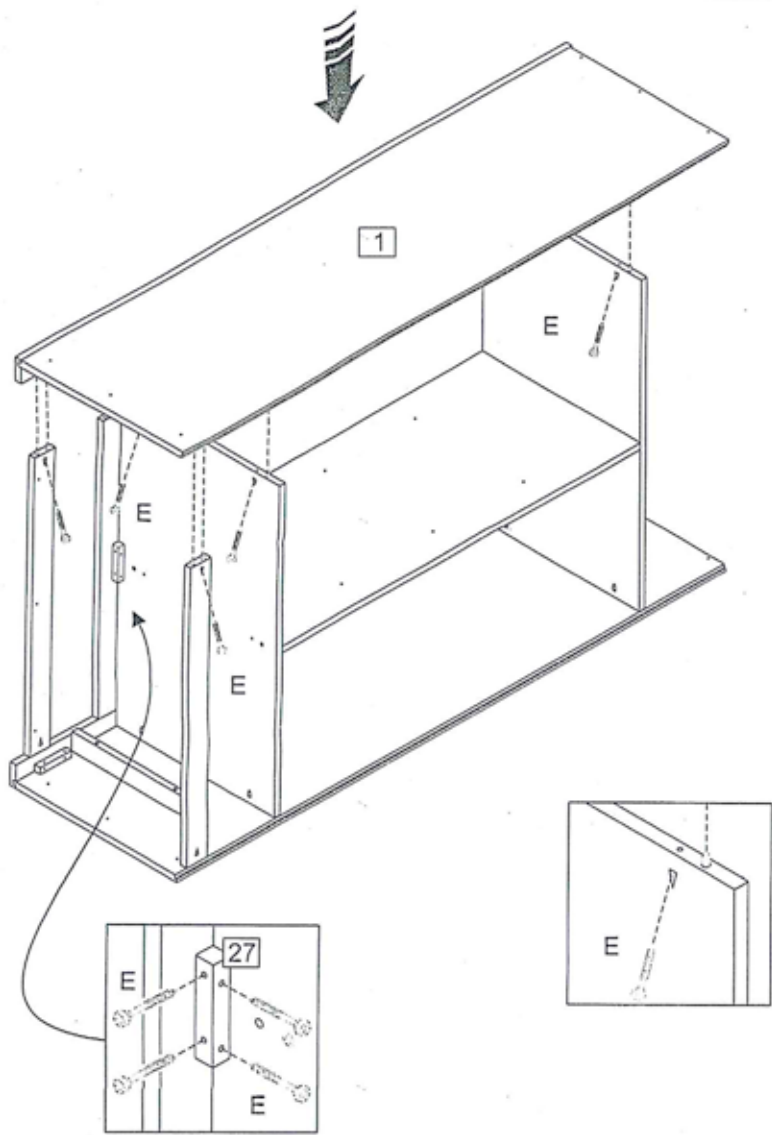
4



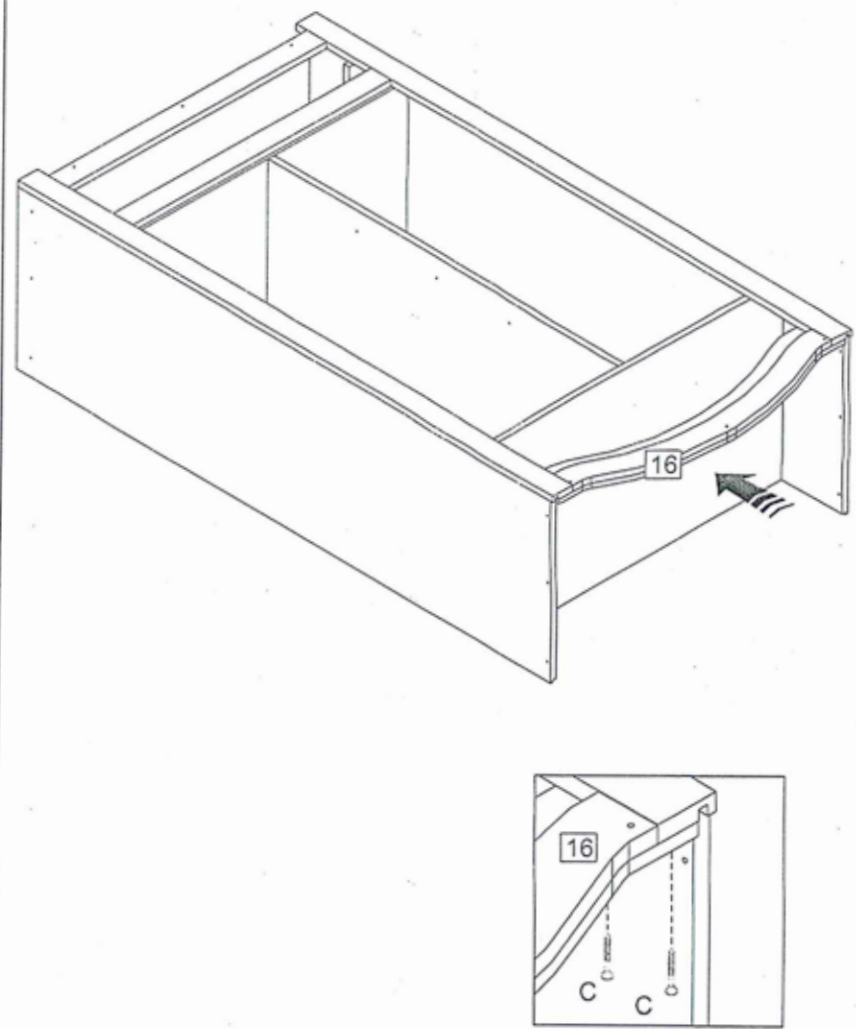
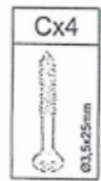
5





6

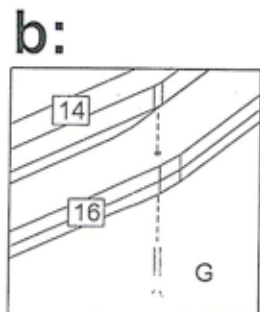
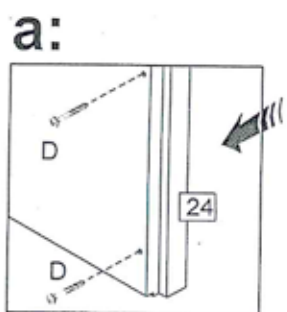
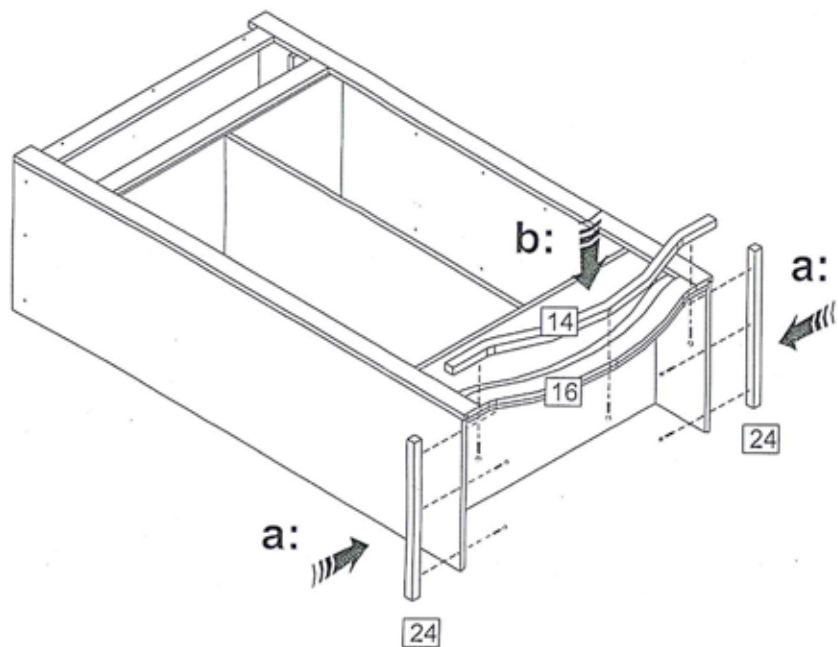


7



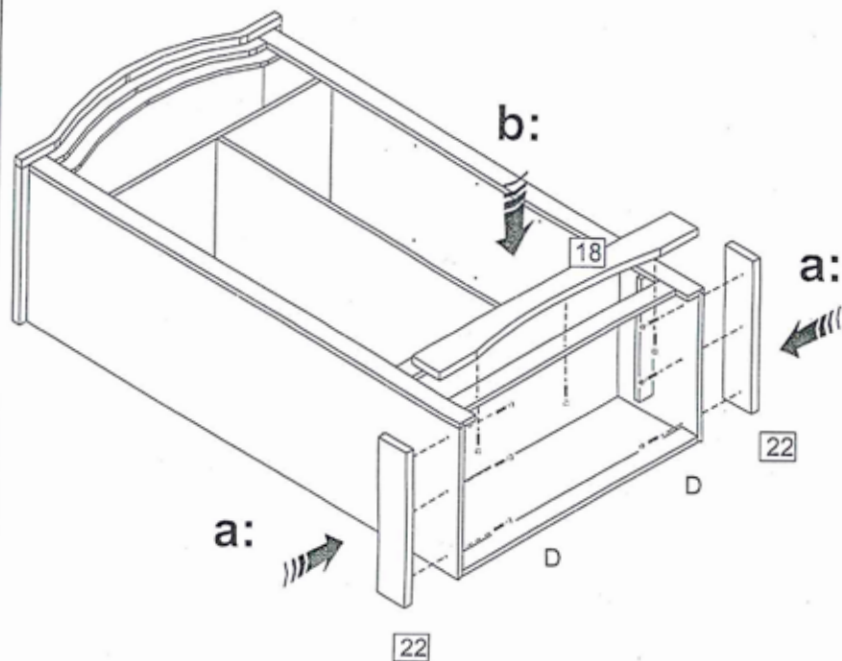
8

Dx6	Gx3
 Ø3.5x30mm	 Ø4.5x50mm

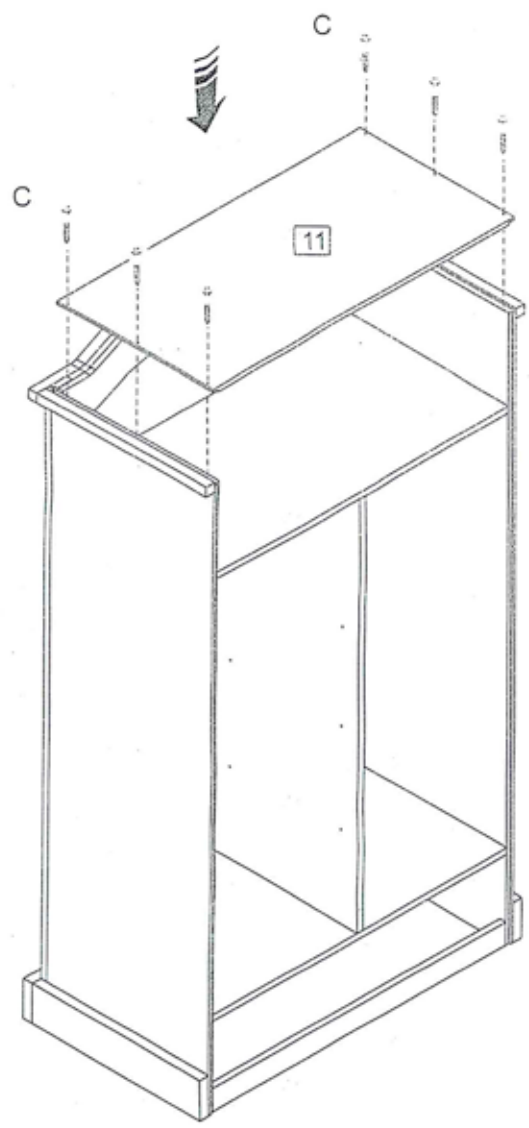


9

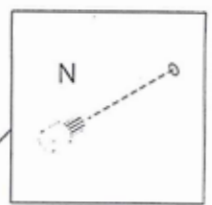
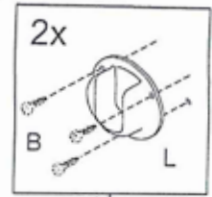
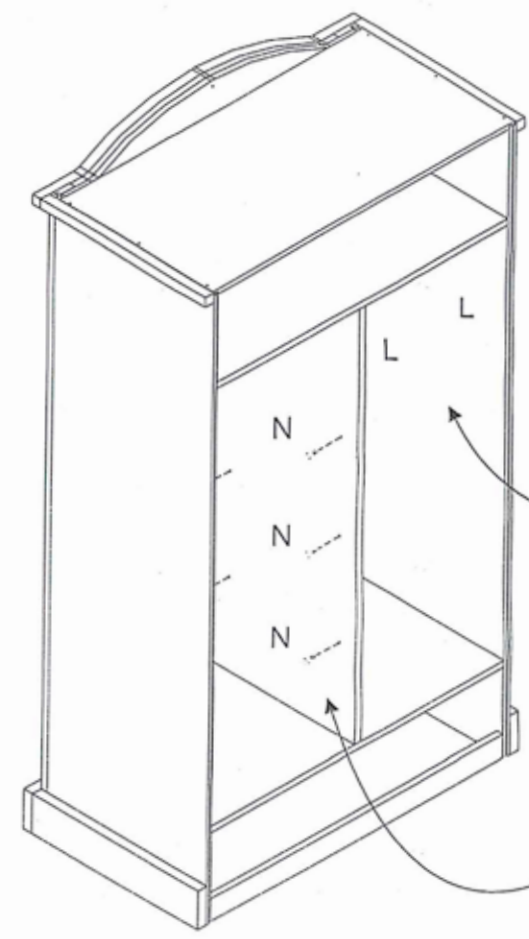
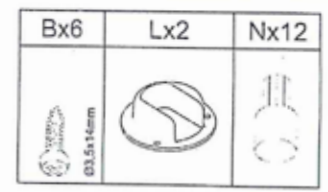
Dx9
 Ø3.5x30mm



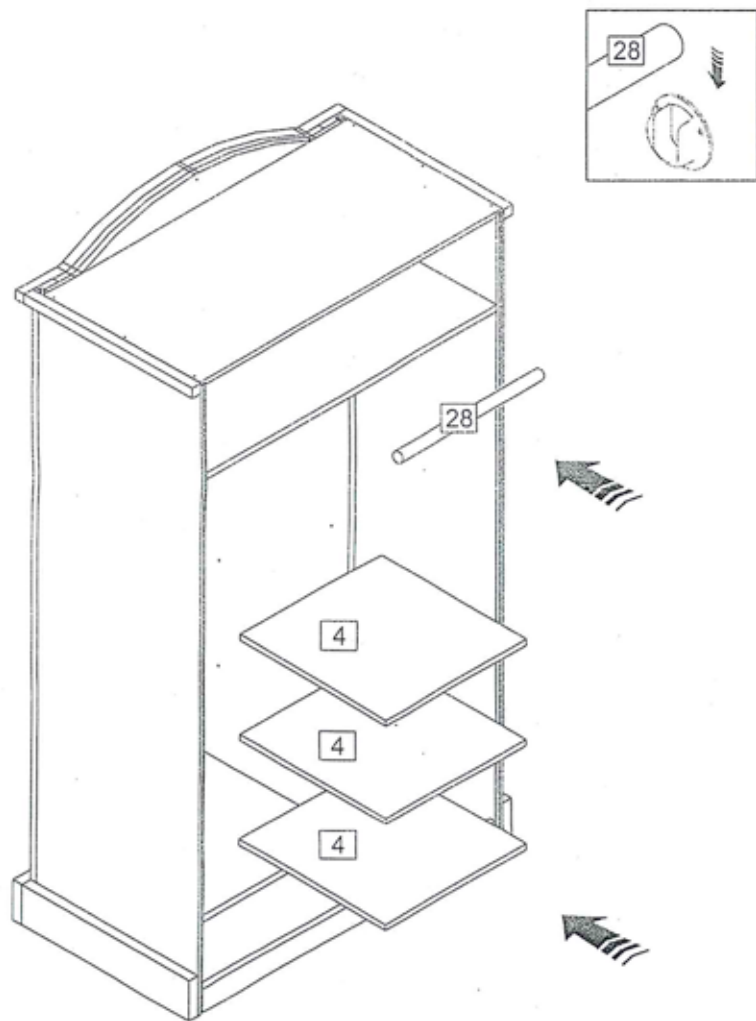
10






11

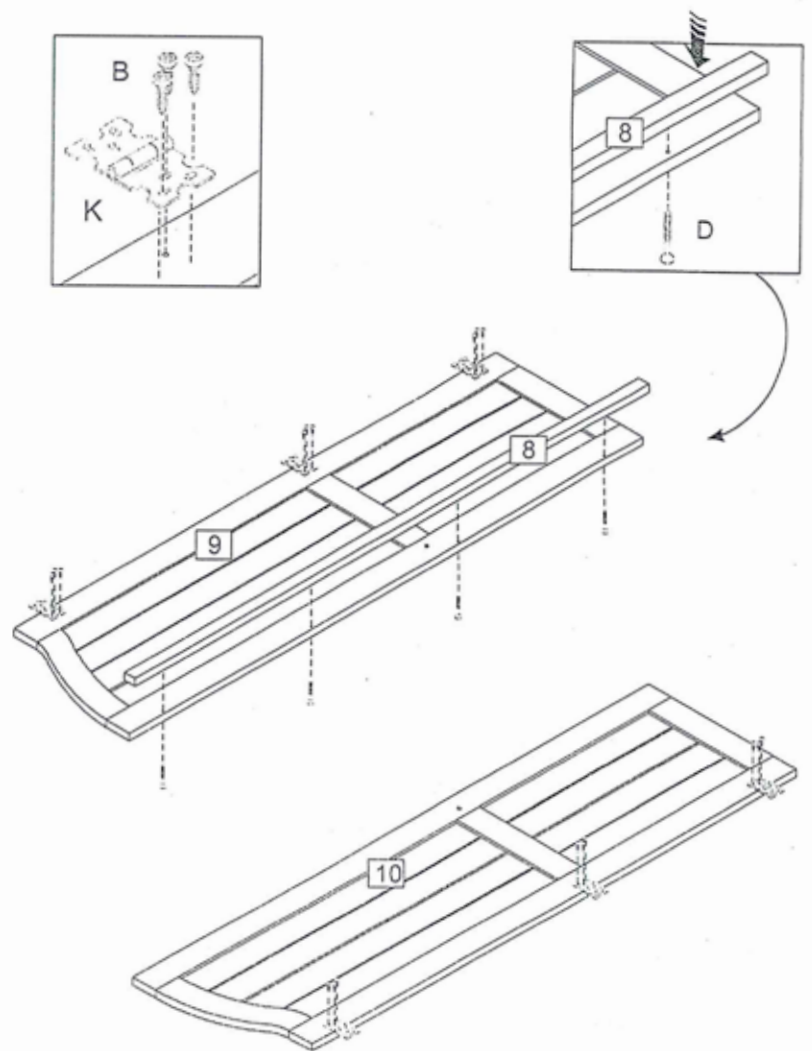


12



13

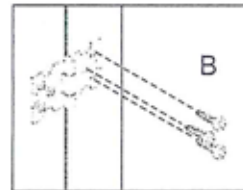
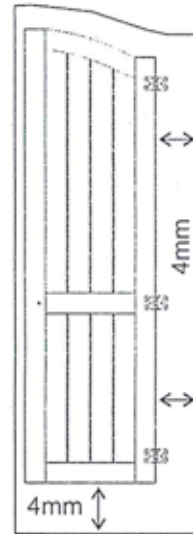
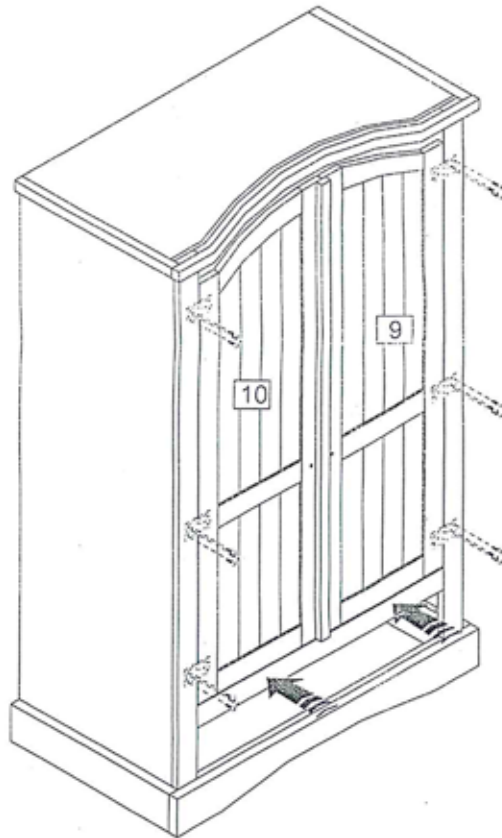
Bx18	Dx4	Kx6
 Ø3.5x14mm	 Ø3.5x30mm	





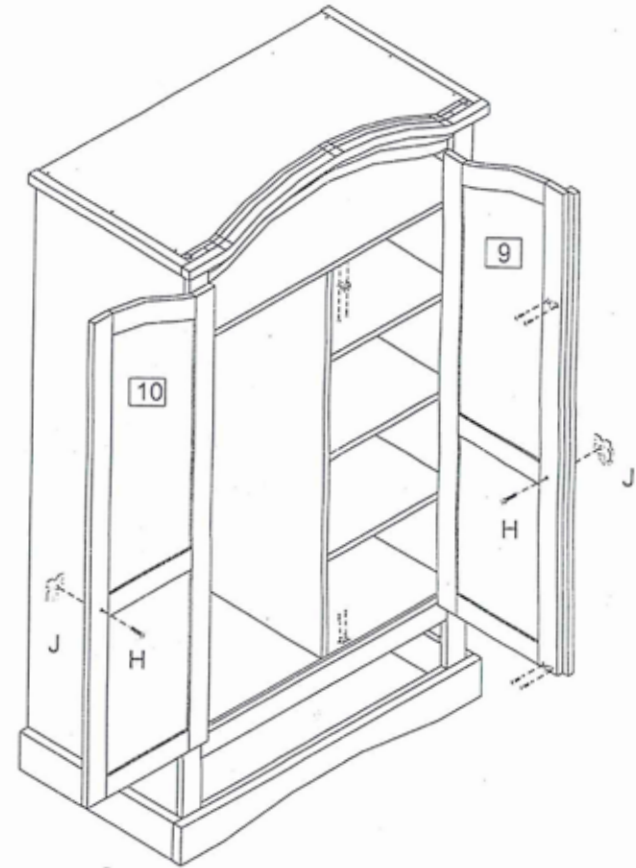
14

Bx18

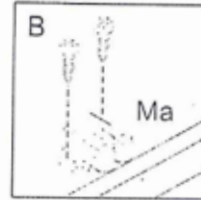


15

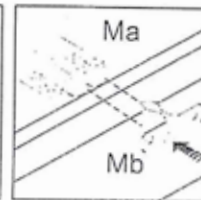
Bx8	Hx2	Jx2	Max2	Mbx2
03.5x14mm	03.71x10mm			



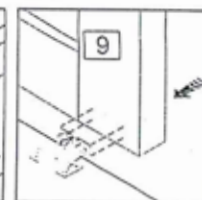
a:



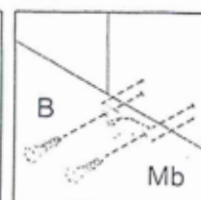
b:






c:

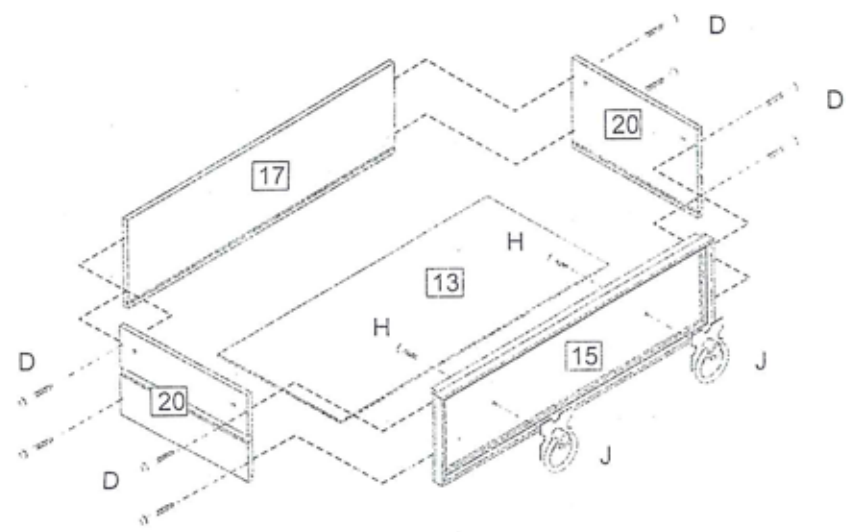


d:




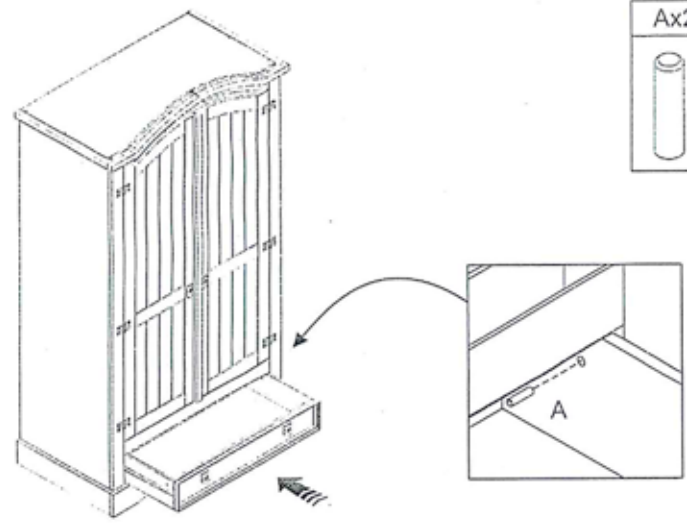
16

Dx8	Hx2	Jx2
		
Ø3.5x30mm	Ø3.5x15mm	Ø3.16x15mm

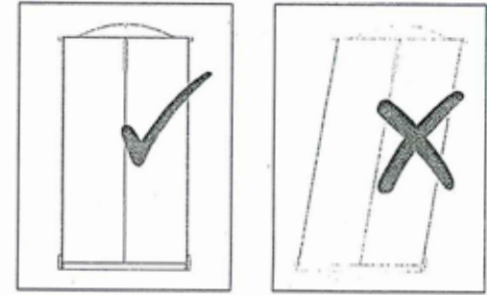




17

Ax2

Ø5x30mm



18



Px7	Rx44
	
0	

